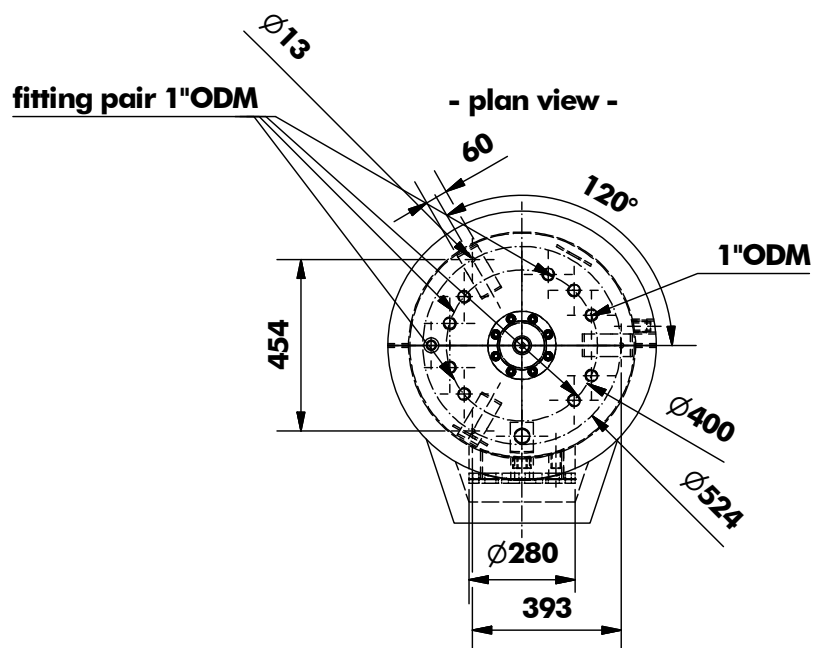
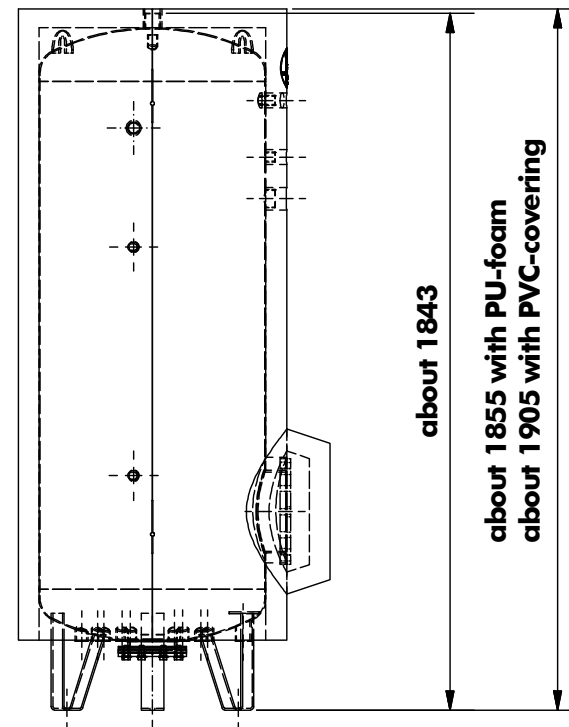


- side view from left -



technical data

| | |
|-----------------------------------|--|
| height vessel | 1838mm |
| \varnothing without insulation | 600mm |
| \varnothing with PU-insulation | 710mm / PU-foam 55mm with GfK unplasticised coat |
| \varnothing with PVC-insulation | 800mm / 100mm non-woven with PVC-foil |
| nominal content | 450ltr. |
| weight | 143kg |
| anti corrosion outside | enamel easily sprayed |
| anti corrosion inside | special vessel enamelled |
| operation pressure | 6bar |

insulation:
100mm non-woven
included PVC-covering



insulation:
50mm PU-foam with
GfK unplasticised coat
(2 half dish)

