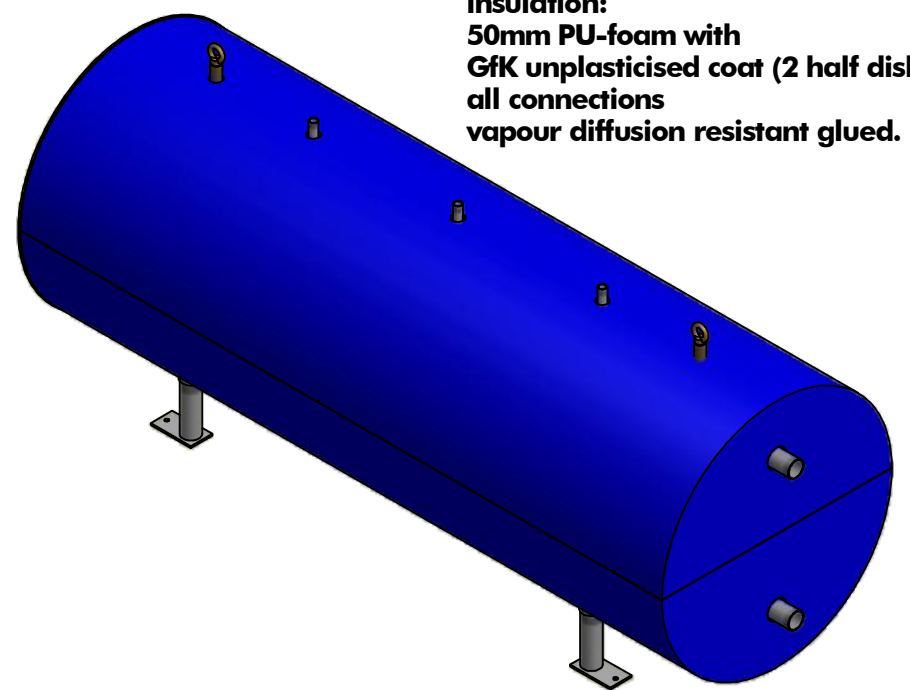
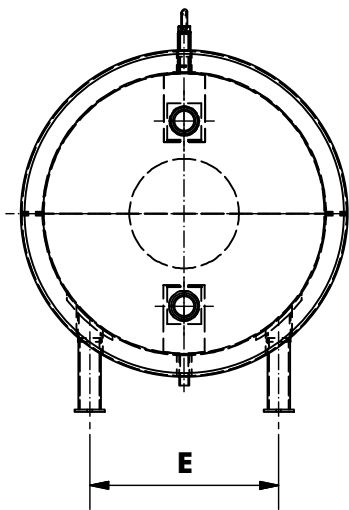


- side view from left -



insulation:
50mm PU-foam with
GfK unplasticised coat (2 half dish)
all connections
vapour diffusion resistant glued.

volume	A = total height with legroom 150mm	B = ø vessel	C = ø insulation	D = foot spacing 1	E = foot spacing 2	F = shell course length	G = bottom height	H = length of insulation	I = total length vessel	J = foot size	weight without additions
180ltr.	about 750mm	500mm	610mm	520mm	340mm	823mm	127mm	1230mm	about 1390mm	1 1/4"	95kg
280ltr.	about 850mm	600mm	710mm	550mm	400mm	750mm	146mm	1180mm	about 1340mm	1 1/4"	110kg
400ltr.	about 850mm	600mm	710mm	810mm	400mm	1234mm	146mm	1670mm	about 1830mm	1 1/4"	140kg
700ltr.	about 1000mm	750mm	860mm	1090mm	500mm	1388mm	180mm	1890mm	about 2050mm	2"	220kg
950ltr.	about 1000mm	750mm	860mm	1090mm	500mm	1908mm	180mm	2400mm	about 2560mm	2"	280kg