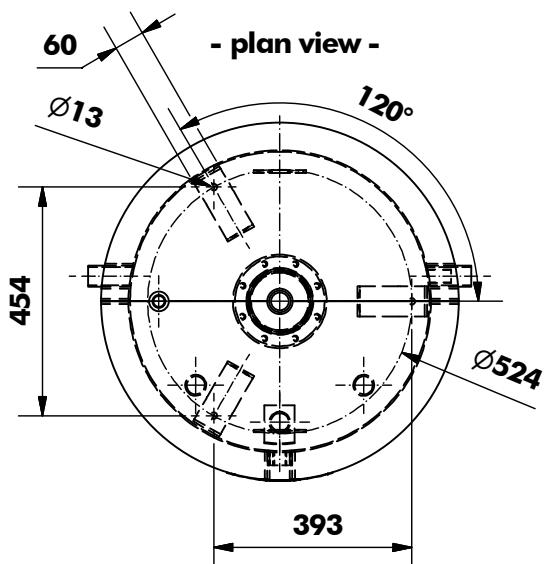
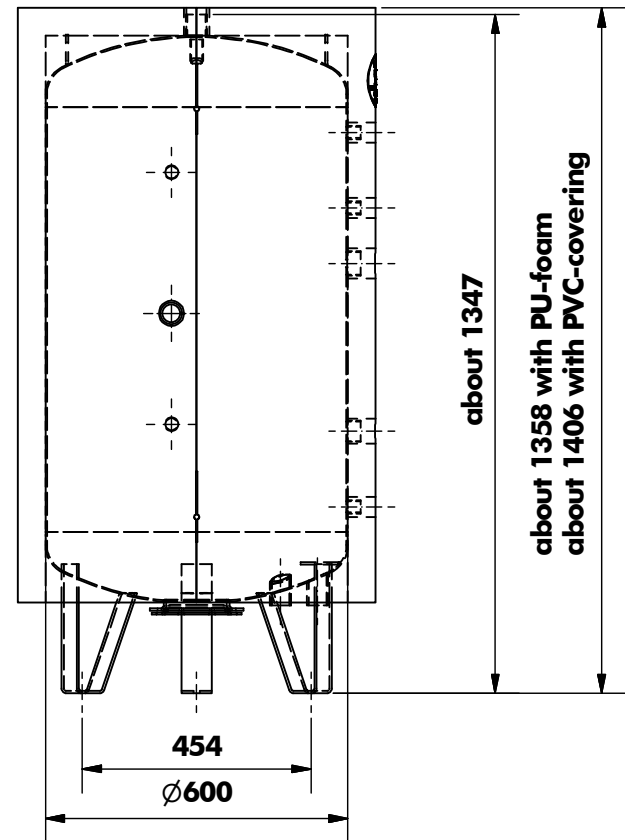


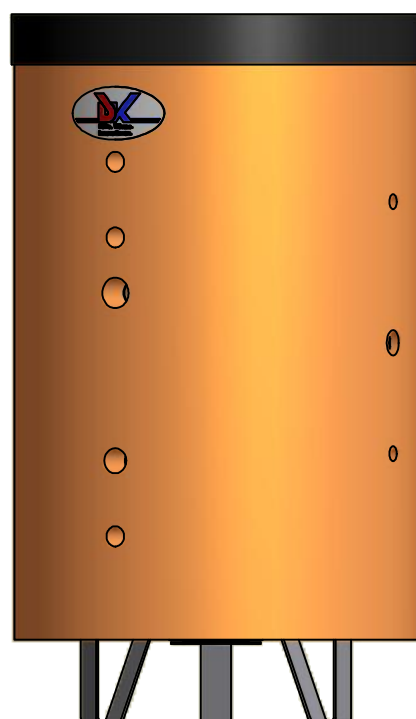
- side view from left -



technical data

height vessel	1347mm
\varnothing without insulation	600mm
\varnothing with PU-insulation	710mm / PU-foam 55mm with GfK unplasticised coat
\varnothing with PVC-insulation	800mm / 100mm non-woven with PVC-foil
nominal content	300ltr.
weight	102kg
anti corrosion outside	enamel easily sprayed
anti corrosion inside	special vessel enamelled
operation pressure	6bar

insulation:
100mm non-woven
included PVC-covering



insulation:
50mm PU-foam with
GfK unplasticised coat
(2 half dish)

